

ATHENA

IT / EN

Great taste needs great presentation



ATHENA

State of the art

IT

Nuova e moderna linea di buffet con soluzioni tecnologiche all'avanguardia. L'accurato accostamento di materiali diversi come legno laminato e acciaio inox rende questi elementi non più solo un'attrezzatura professionale ma veri e propri ed eleganti complementi di arredo curati fin nei minimi dettagli. Tutti i modelli possono essere realizzati nei nostri 16 colori di legno laminato standard e possono essere completati da svariati optional per rispondere a qualsiasi necessità di utilizzo.

EN

New and modern range of state of the art buffets with many technological solutions. The accurate combination of different materials like laminated wood and stainless steel makes these units not only professional equipments but also real pieces of furniture made with attention to the smallest detail. All the models can be manufactured in all of our 16 different laminated wood colors and can be equipped with various options to satisfy any needs.





INSALATE

LOCAL, ORGANIC, SEASONAL.
SERVED WITH HOUSE-MADE FOCACCIA BREAD

INSPIRED CAESAR 2.50
ROMANO-PROCESSED CHICKEN - CAESAR DRESSING
OPT. SECONDARY CHICKEN/STEAMED ALASKA SALMON FILET

MABI 2.00
SPRING MIX - CRISPER-CROUTONS-APPLES-MAJONNE
APRICOTS-MUSHRROOMS-BAKED CHEESE-GRUYERE-ANY CHEESE

ALASKA 2.95
SALMON-APPLES-PEPPERS-ONIONS

HAPPRESE 3.00
CHERRY TOMATOES-ARROCH-PIZZARELLA-LIGHT PE
PEPPER

POLO 2.00
SPRING MIX - WILD ARIZONA - MUSHRROOMS -
BAKED CHEESE

BUILD-YOUR-OWN SALAD

CHOOSE YOUR CHEESE & ADD YOUR FAVORITE TOPPING

SALAD NO.1 "THE CLASSIC" 7.95
CHOOSE: CHEESE-4 CLASSIC & 1 EXOTIC TOPPING-DRESSING

SALAD NO.2 "SO EXOTIC" 7.95
CHOOSE: CHEESE-1 CLASSIC & 3 EXOTIC TOPPING-DRESSING

Leaky Greens

ROMANO HEARTS
BABY SPINACH
GREEN CALE &
LEMON & OLIVE OIL

Dressings

60% ORGANIC SOY SAUCE
TEVAPAD JUNGSEWNE
MUSHROOM SAUCE
ITALIAN

PARSLEY LEMON
PESTO ITALIANO
PASTA

SOUP

HOMEBREW COMFORT AND WARMTH IN A BOWL

SOUP OF THE DAY 2.50

SWEET THINGS

SOMETHING SWEET? WE KNOW YOU'LL LOVE IT.

DESSERT OF THE DAY 2.50

DRINKS

CHOOSE SOMETHING REFRESHING. THE LIQUID KIND.

BOTTLED 2.50
TAP 1.50

Healthy Tips

- ADD IN-HOUSE NUTRIMENTAL INGREDIENTS
HEALTHY BENEFITS OF OUR MENU ITEMS. LOOK
UP THE NUMBERS & CHECK
- ✔ SUPPORTS HEALTHY DIGESTION
 - ✔ SUPPORTS STRONG BONES & TEETH
 - ✔ GOOD FOR SKIN, HAIR & NAILS
 - ✔ RICH IN FIBER
 - ✔ SUPPORTS THE BRAIN
 - ✔ SUPPORTS HEART HEALTH & BLOOD CIRCULATION
 - ✔ VEGAN-FRIENDLY (with a note)

ATHENA

Design

IT

Il design moderno della gamma Athena è pensato per rendere il prodotto solido e flessibile allo stesso tempo. La sua modularità consente di produrre molteplici varianti di prodotto.

EN

The modern design of the Athena range is designed to make the product solid and flexible at the same time. Its modularity allows the production of multiple product variants.

Struttura superiore
in acciaio inox

*Stainless steel top
structure*

Posizione vasche
ribassata per
maggior efficienza

*Lowered GN pans
positioning for better
efficiency*

Struttura portante in
legno laminato in
16 colori

*Main structure in
laminated wood
in 16 colours.*

Posizione interfaccia
ergonomica

*Ergonomic
interface position*

3 Diversi modelli di
calottina in Plexyglass

*3 different models of
Plexyglass sneezeguard*

Bordo in
acciaio inox

*Stainless steel
border*

Ruote in solida
poliammide

*Solid polyamide
wheels*



ATHENA

Dettagli / Details



Illuminazione

La versatilità di Athena permette di installare diversi tipi di illuminazione: LED e lampade alogene.

Lighting

The versatility of Athena allows to install different types of lighting: LED and halogen lamps.



Calottina elettrica

Calottina in Plexyglas completamente richiudibile dotata di sistema anti schiacciamento.

Electrical sneezeguard

Upper sneezeguard with electrical system and anti pinch safety system



①Termostato digitale

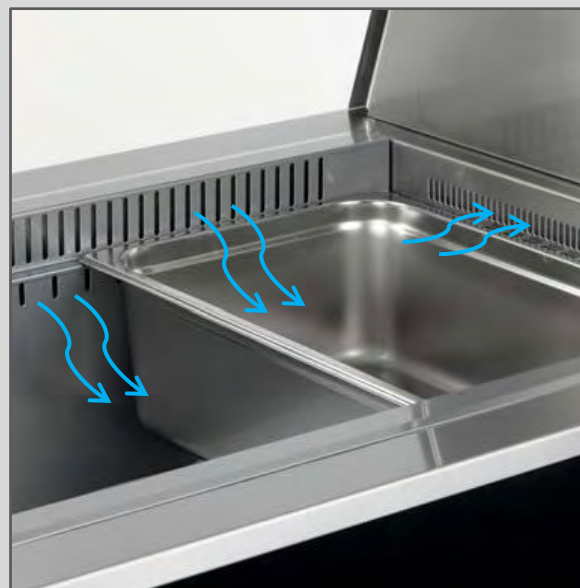
Su ogni buffet Athena è installato un termostato digitale programmabile.

①Digital thermostat

A programmable digital thermostat is installed on every Athena buffet.

② Accensione illuminazione indipendente.

② Independent lighting switch



Vasca ventilata

Ventilazione forzata ottimale.

Ventilated well

Optimal forced ventilation.

VARIANTI / VARIANTS

VASCHE E PIANI WELLS AND COUNTERTOPS



BM
Vasca bagnomaria
profonda 26 cm.
26 cm Bain marie well



R
Vasca da 26 cm,
refrigerazione statica.
*26 cm static refrigeration
well*



RV
Vasca a refrigerazione
ventilata.
*Ventilated refrigeration
well*



PR
Piano refrigerato in Hanex
Perimetro in Plexyglass
*Refrigerated countertop
with Plexyglass profile*

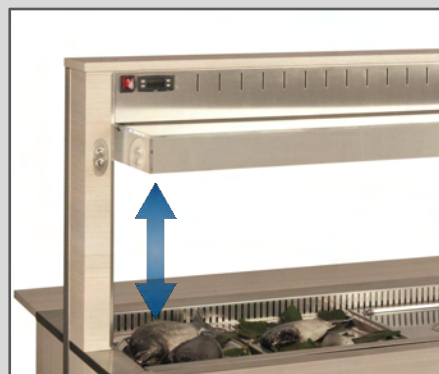


PC
Piano caldo in vetro
temperato
*Tempered glass heated
countertop*

CALOTTE SNEEZEGUARDS



F
Calottina fissa.
Fixed sneezeguard



M
Calottina elettrica
Electrical sneezeguard



S
Calottina chiusa, servito con
operatore
*Closed sneezeguard, served
with operator*

ESEMPI CODICE CODE EXAMPLES

- **Athena 3 BM / S**
Bagnomaria 3x GN 1/1, servito con
operatore
*Bain marie 3x GN 1/1 well, service with
operator*

ATHENA	3	BM	/	S
Nome prodotto <i>Product name</i>	Q.tà vasche GN <i>GN pans Q.ty</i>	Tipo vasca Countertop type		Tipo calotta Sneezeguard type

DIMENSIONI / DIMENSIONS

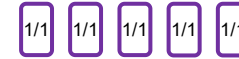
ATHENA 3
GN H 200



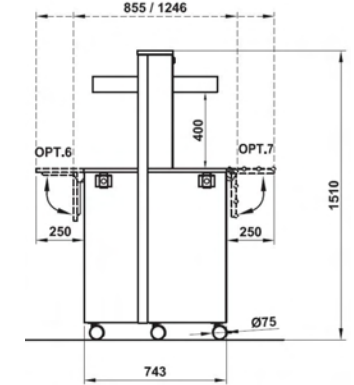
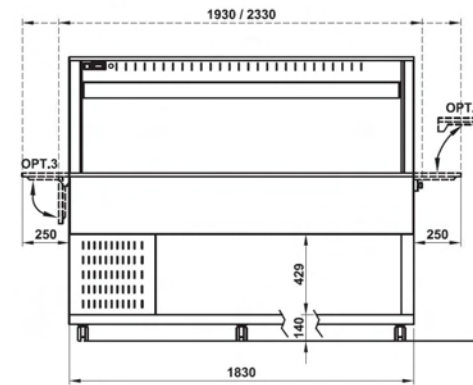
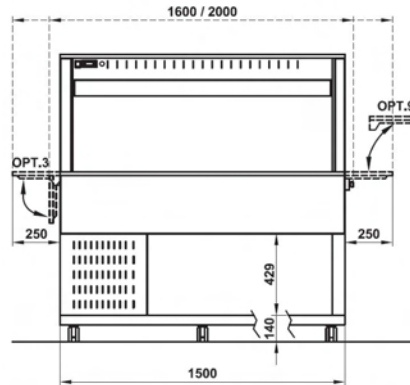
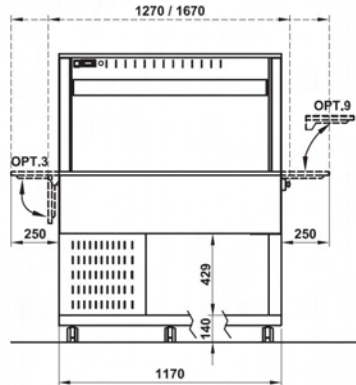
ATHENA 4
GN H 200



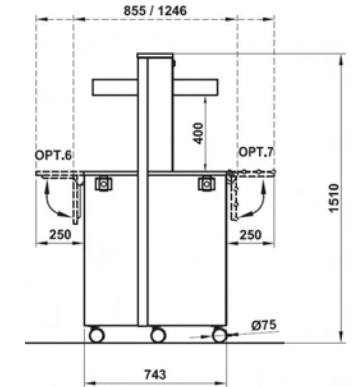
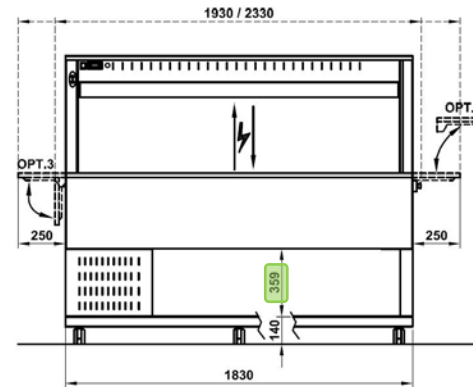
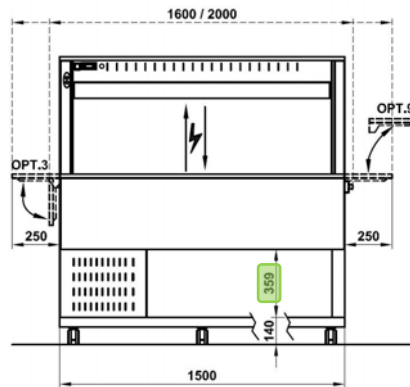
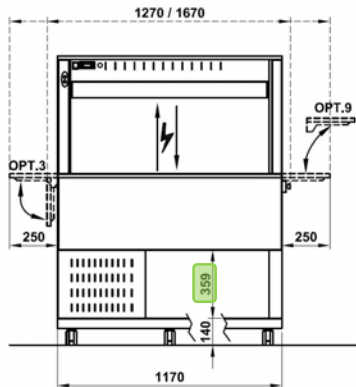
ATHENA 5
GN H 200



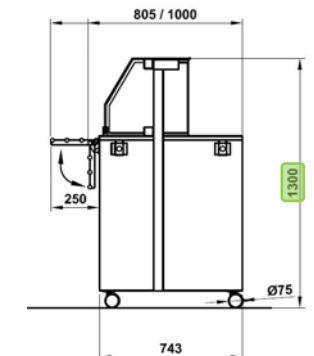
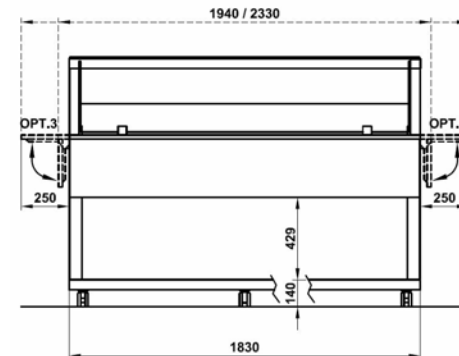
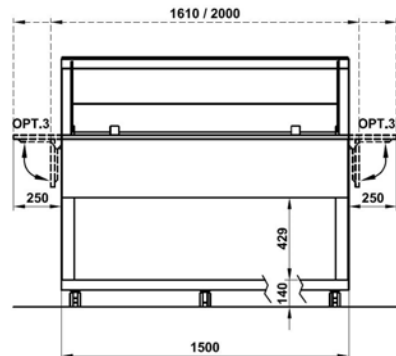
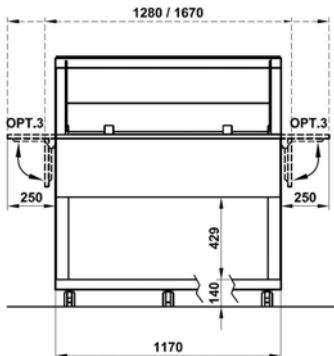
DIMENSIONI STANDARD
STANDARD DIMENSIONS



VENTILATO
VENTILATED

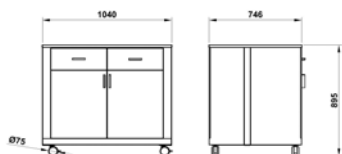


SERVITO CON OPERATORE
SERVICE WITH OPERATOR

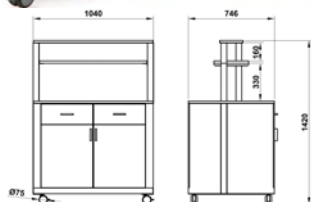


ATHENA

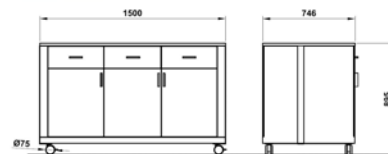
Neutral buffet



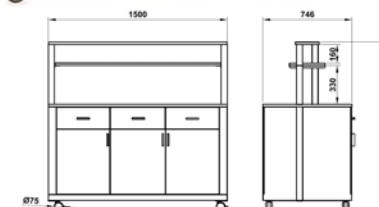
ATHENA SAL 2



ATHENA SAL 2 AL



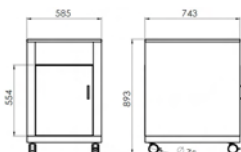
ATHENA SAL 3



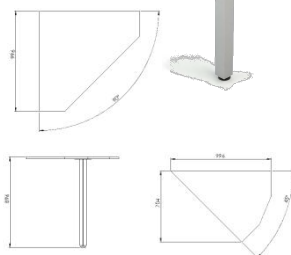
ATHENA SAL 3 AL



ATHENA PV



ATHENA PLC



ATHENA A45 / A90

IT

Buffet neutri con struttura in legno laminato e top in acciaio inox AISI 304 per completare la linea self-service. Ogni vano chiuso da sportello ha un ripiano regolabile in altezza all'interno.

ATHENA SAL 2 / 3: 2 o 3 cassetti con divisori interni e 2 o 3 vani con sportelli. I modelli ad angolo Athena A45 e A90 sono ideali per completare la linea self service permettendo a quest'ultima di adattarsi perfettamente a qualsiasi ambiente e agli spazi di qualsiasi sala. Il modello ATHENA PV è la stazione per vassoi, piatti, posate e bicchieri ideale per iniziare la linea di distribuzione pasti. Il modello ATHENA PLC è la stazione distribuzione piatti caldi con sollevatore a livello costante.

EN

Neutral buffet to completion of the self-service line with laminated wood structure and stainless steel AISI 304 countertop. Each space closed by a door has an adjustable shelf inside.

ATHENA SAL 2 / 3: 2 or 3 drawers with internal dividers and 2 or 3 doors. The angle elements Athena A45 and A90 are the ideal solution so as to define the self service line making it able to easily adapt the equipments to every ambient and to every hall's shape. The model ATHENA PV is the ideal station for trays, plates, cutlery and glasses at the beginning of a self service line for meal distribution. The model ATHENA PLC is a heated plate dispenser.

*A perfect temperature
for your food*



ATHENA

Smart solutions

IT

Il moderno design della gamma Athena si presta perfettamente ad arredare gli interni di sale mensa, sale banchetti e ristorante.

EN

The Athena range with its modern design is a perfect choice so as to perfectly furnish canteen halls, restaurant and banquet halls.



L'illustrazione mostra una combinazione ideale per una linea selfservice per il pranzo composta dai seguenti modelli: ATHENA PV – ATHENA 4 BM/S – ATHENA A45 – ATHENA 4 BM/S – ATHENA A 45 – ATHENA SAL2 – ATHENA 4 R/S – ATHENA A90 – ATHENA SAL2

The above solution is a selected combination for an ideal self service lunch line, composed by the following models: ATHENA PV – ATHENA 4 BM/S – ATHENA A45 – ATHENA 4 BM/S – ATHENA A 45 – ATHENA SAL2 – ATHENA 4 R/S – ATHENA A90 – ATHENA SAL2



Sushi buffet
ATHENA 3 RV/M



Breakfast buffet
ATHENA 4 PR/M
ATHENA SAL 2
HELIOS AL

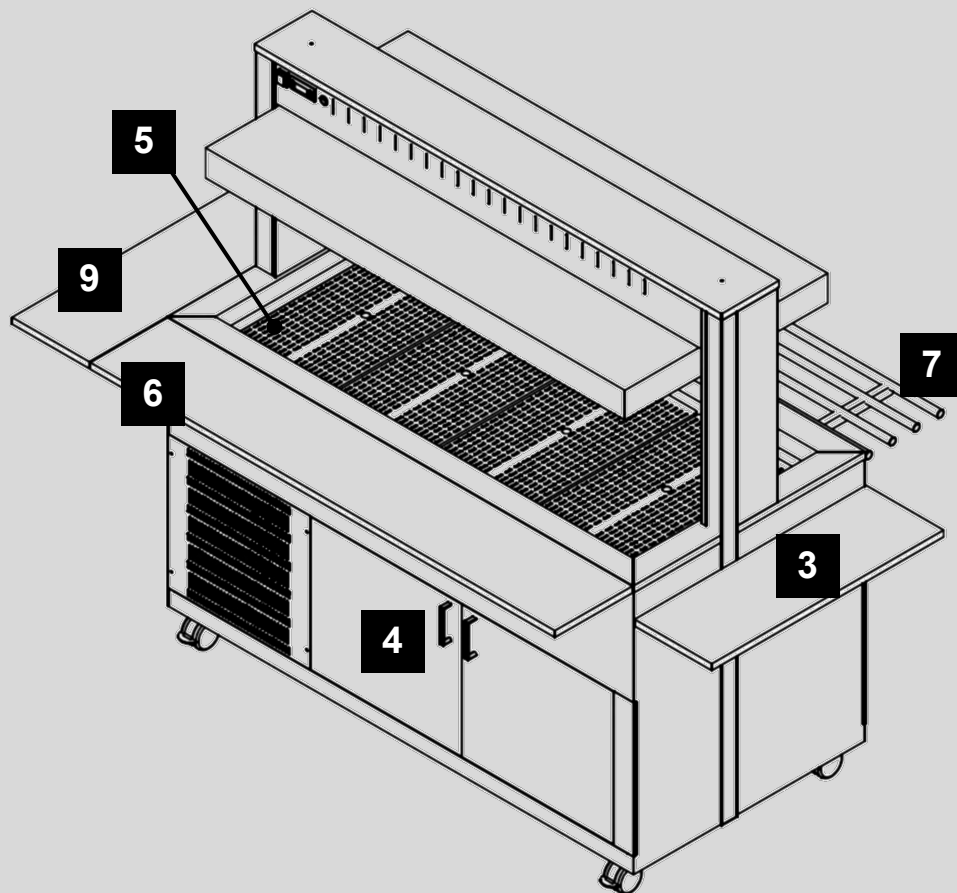


L'illustrazione mostra una combinazione ideale per un corner colazioni composta dai seguenti modelli: ATHENA 4 PC/HALO – ATHENA N 2 – ATHENA N 2 – ATHENA 4 PR/M

The above solution is a selected combination for an ideal breakfast corner, composed by the following models: ATHENA 4 PC/HALO – ATHENA N 2 – ATHENA N 2 – ATHENA 4 PR/M

ATHENA

Optionals



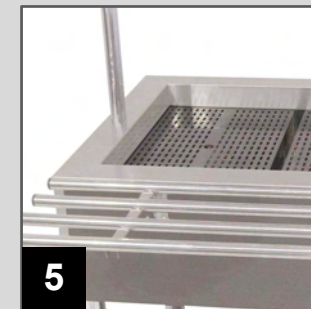
3

Piccolo portapiatti pieghevole laterale
Small side folding dish-holder



4

Chiusura vano inferiore con antine
Lower compartment closure with doors



5

Griglia in acciaio inox 1GN1/1
Stainless steel grid 1GN1/1



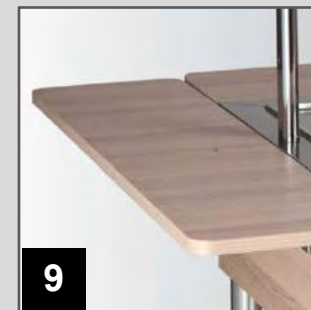
6

Portapiatti pieghevole sul lato servizio
Front side folding dish-holder



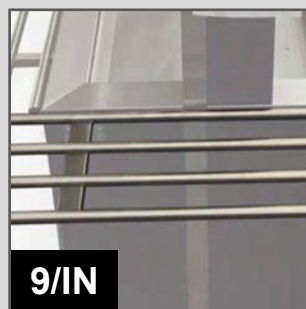
7

Scorriavassoio in tubo inox ribaltabile sul lato servizio
Front side folding tray holder in tubular s/steel



9

Lungo portapiatti rimovibile laterale
Long side detachable dish holder



9/IN

Lungo scorriavassoio rimovibile laterale in tubo inox
Long side detachable tray holder in steel pipes



10

Ruote diam. 125 mm per maggior scorrevolezza
Diam. 125 mm castors for high maneuverability



UK

IND

Spina industriale e spina UK
Industrial Plug and UK plug

ATHENA

Finiture in legno laminato / Laminated wood finishings

DECORI LEGNO - WOODEN DECORS



LBE

Betulla
Birch



LRV

Rovere
Oak



LOM

Olmo
Elm



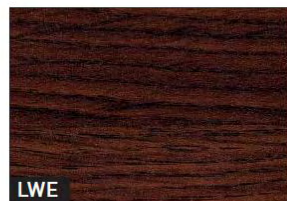
LSA

Sabbia
Sand



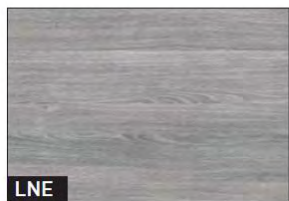
LNO

Noce
Walnut



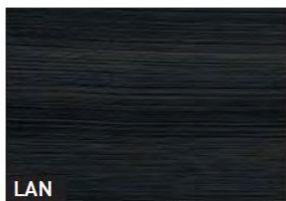
LWE

Wengè



LNE

Nebbia
Fog



LAN

Antracite
Anthracite

TINTE UNITE - PLAIN DECORS



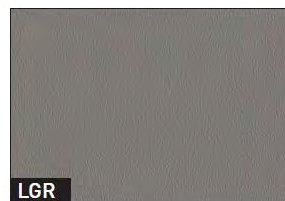
LBV

Bianco Venato
Veined white



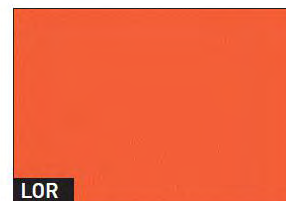
LNV

Nero venato
Veined black



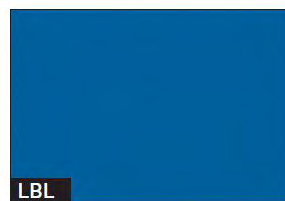
LGR

Grigio
Grey



LOR

Arancio
Orange



LBL

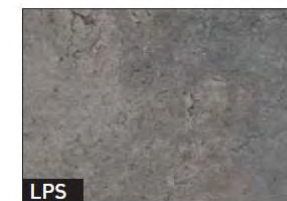
Blu
Blue



LVA

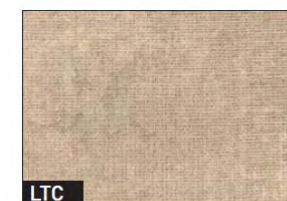
Verde acqua
Aquamarine

MATERICI - MATERIC DECORS



LPS

Pietra scura
Dark stone



LTC

Tessuto chiaro
Light fabric

Le stampe dei colori dei legni laminati potrebbero non essere totalmente fedeli agli originali.
The print of laminated wood colors may not match actual finishings exactly.

TAILOR MADE DESIGN SERVICE



IT
Rocam mette a vostra disposizione un servizio di consulenza e progettazione personalizzato per soddisfare qualsiasi vostra esigenza.

Non esitate a contattarci!

EN
Rocam offers you a customized consulting and planning service to meet your every needs.

Feel free to contact us!

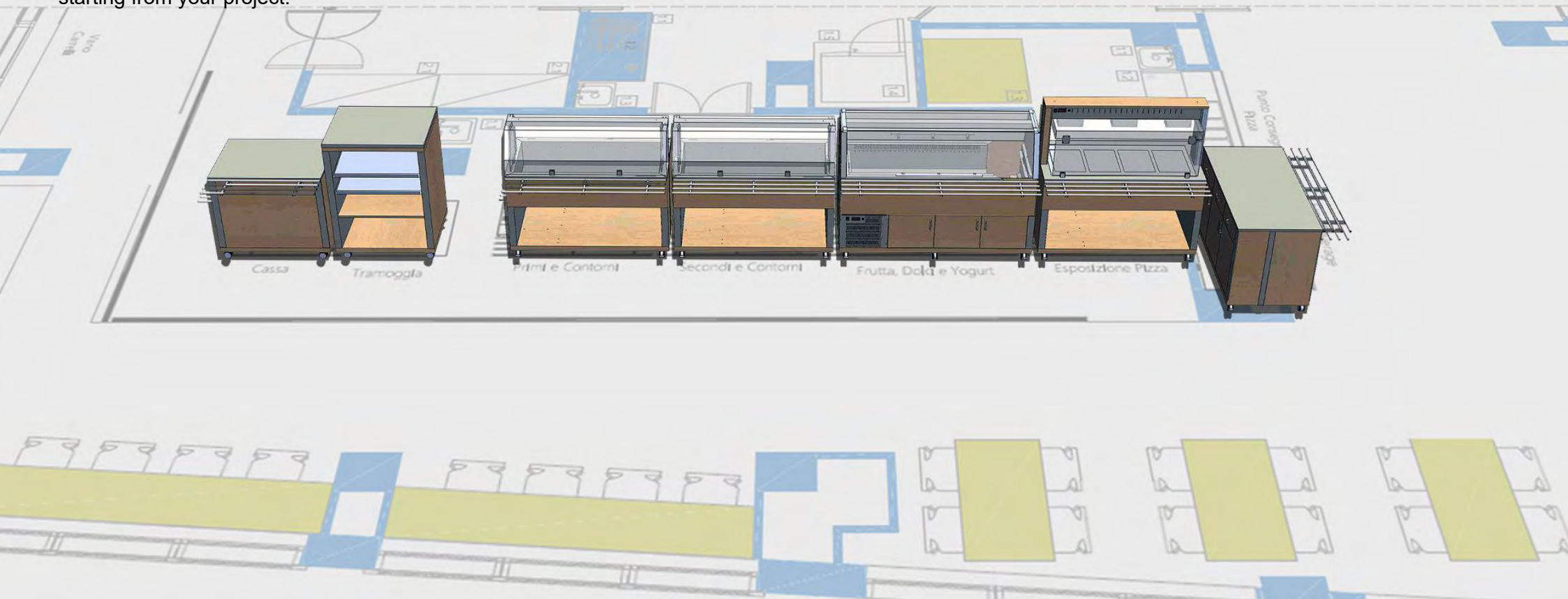
CO-DESIGN & ARCHITECTURAL LAYOUT

IT

Studiamo e sviluppiamo insieme a voi le migliori soluzioni per il layout e la disposizione di sale mensa, ristoranti e self service a partire dal vostro progetto.

EN

We study and develop together with you the best solutions for the layout and arrangement of dining rooms, restaurants and self-service lines starting from your project.



ATHENA

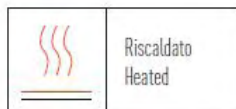
Utilizzi / Usage

Colazione Corner Breakfast	Self Service	Buffet
-------------------------------	--------------	--------



Refrigerati
Refrigerated

ATHENA R/F	✓	✓	
ATHENA R/M	✓	✓	✓
ATHENA RV/M	✓	✓	✓
ATHENA PR/M	✓	✓	✓



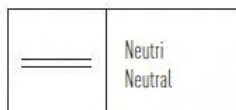
Riscaldato
Heated

ATHENA BM		✓	
ATHENA BM/HALO		✓	
ATHENA P/C HALO	✓	✓	✓



Servito
With operator

ATHENA R/S	⚠	✓	⚠
ATHENA RV/S	⚠	✓	⚠
ATHENA BM/S	⚠	✓	⚠



Neutri
Neutral

ATHENA SAL 3/AL	✓	✓	
ATHENA SAL 3	✓	✓	
ATHENA SAL 2/AL	✓	✓	
ATHENA SAL 2	✓	✓	
ATHENA N 2		✓	
ATHENA N 3		✓	



Consigliato
Suggested



Sconsigliato
Not suggested

TABELLA RIASSUNTIVA / SUMMARY TABLE

ATHENA	GN H 200	230 V MAX	OPTIONS
ATHENA 3 R/F	3 GN 1/1	340 W	3-4-5-6-7-9-9/IN-10-IND-UK
ATHENA 4 R/F	4 GN 1/1	344 W	3-4-5-6-7-9-9/IN-10-IND-UK
ATHENA 5 R/F	5 GN 1/1	348 W	3-4-5-6-7-9-9/IN-10-IND-UK
ATHENA 3 R/M	3 GN 1/1	490 W	3-4-5-6-7-9-9/IN-10-IND-UK
ATHENA 4 R/M	4 GN 1/1	494 W	3-4-5-6-7-9-9/IN-10-IND-UK
ATHENA 5 R/M	5 GN 1/1	498 W	3-4-5-6-7-9-9/IN-10-IND-UK
ATHENA 3 RV/M	3 GN 1/1	R933 - D1153 W	3-4-5-6-7-9-9/IN-10-IND-UK
ATHENA 4 RV/M	4 GN 1/1	R948 - D1168 W	3-4-5-6-7-9-9/IN-10-IND-UK
ATHENA 5 RV/M	5 GN 1/1	R963 - D1183 W	3-4-5-6-7-9-9/IN-10-IND-UK
ATHENA 3 PR/M	3 GN 1/1	490 W	3-4-5-6-7-9-9/IN-10-IND-UK
ATHENA 4 PR/M	4 GN 1/1	494 W	3-4-5-6-7-9-9/IN-10-IND-UK
ATHENA 5 PR/M	5 GN 1/1	498 W	3-4-5-6-7-9-9/IN-10-IND-UK
ATHENA 3 BM	3 GN 1/1	2262 W	3-4-5-6-7-9-9/IN-10-UK
ATHENA 4 BM	4 GN 1/1	3016 W	3-4-5-6-7-9-9/IN-10-UK
ATHENA 5 BM	5 GN 1/1	3770 W	3-4-5-6-7-9-9/IN-10-UK
ATHENA 3 BM/HALO	3 GN 1/1	2850 W	3-4-6-7-9-9/IN-10-UK
ATHENA 4 BM/HALO	4 GN 1/1	3400 W	3-4-6-7-9-9/IN-10-UK
ATHENA 5 BM/HALO	5 GN 1/1	3700 W	3-4-6-7-9-9/IN-10-UK
ATHENA 3 PC/HALO	3 GN 1/1	2850 W	3-4-6-7-9-9/IN-10-UK
ATHENA 4 PC/HALO	4 GN 1/1	3400 W	3-4-6-7-9-9/IN-10-UK
ATHENA 5 PC/HALO	5 GN 1/1	3700 W	3-4-6-7-9-9/IN-10-UK
ATHENA 3 R/S	3 GN 1/1	340 W	3-4-5-9/IN-10-IND-UK
ATHENA 4 R/S	4 GN 1/1	344 W	3-4-5-9/IN-10-IND-UK
ATHENA 5 R/S	5 GN 1/1	348 W	3-4-5-9/IN-10-IND-UK
ATHENA 3 RV/S	3 GN 1/1	R783 - D1003 W	3-4-5-9/IN-10-IND-UK
ATHENA 4 RV/S	4 GN 1/1	R794 - D1018 W	3-4-5-9/IN-10-IND-UK
ATHENA 5 RV/S	5 GN 1/1	R813 - D1033 W	3-4-5-9/IN-10-IND-UK
ATHENA 3 BM/S	3 GN 1/1	2262 W	3-4-9/IN-10-UK
ATHENA 4 BM/S	4 GN 1/1	3016 W	3-4-9/IN-10-UK
ATHENA 5 BM/S	5 GN 1/1	3770 W	3-4-9/IN-10-UK
ATHENA PLC	-	600 W	-