



# ROCAM®

Professional foodservice trolleys

**Rocam Losi srl**

Via Industria 33/35

IT-20080 Albairate (Mi) - Italy

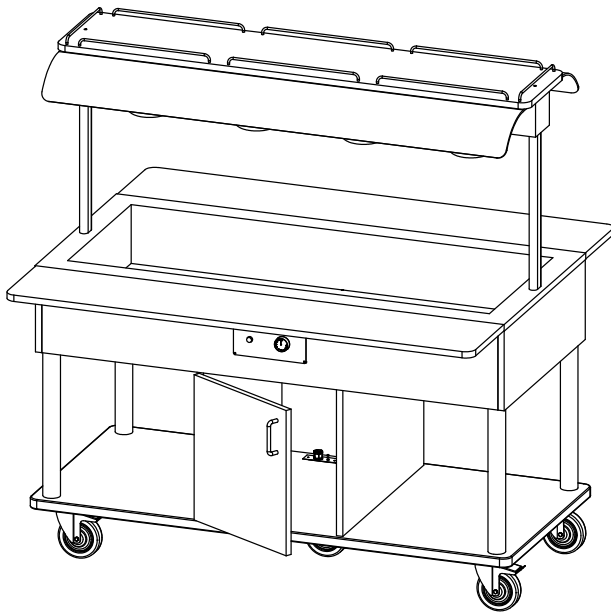
Tel: +39.02.9496.8356 - Fax: +39.02.9496.8341

www.rocam.it

Reg.Imprese 07013680967 Milano

C.F. e P.IVA/VAT number IT07013680967

R.E.A: MI-1929402 Cap.Soc. EUR10.000,00i.v.



Item:

**EROS BM  
EROS B/INFRA**

**EN**

## Summary

1. Instruction Warnings .....	2
2. Safety and Right Use Warnings .....	2
3. Warranty .....	2
4. Settings .....	2
4.1 Appliance Start Up .....	3
4.2 Technical Features .....	3
4.3 Use Suggestions .....	4
4.4 Spare parts B/INFRA .....	4
4.5 Spare parts BM .....	7
5. Cleaning and Maintenance .....	9
5.1 Breakdowns .....	9
5.2 Wiring Diagram B INFRA .....	10
5.3 Wiring Diagram BM .....	11
6. Disposal .....	12

## 1. Instruction Warnings

User has to hold the whole instructions. User must store up this document in case of use. The manufacturer is not responsible of any damage incurred due to the failure of improper use of this manual.

All measures in this manual are in mm.

## 2. Safety and Right Use Warnings



The Bartscher products meet the latest technological evolutions and current safety guidelines.

Trolley line **EROS**, object of this booklet, is projected to be in compliance with directives and field laws, in order to guarantee a safe and reliable product.

Any other use will be considered inappropriate to the original destination. The producer is not responsible of any damage caused by an improper use. Responsibility lies only on user.

A proper use also includes compliance with the instructions for use and installation and any additional documentation as well as the conditions of inspection and maintenance.

## 3. Warranty

We thank you for purchasing a Rocam Losi product, designed and produced for a professional environment. Due to commercial and construction requirements, the manufacturer reserves the right to make changes in order to enhance the quality and use of product. Bartscher s.r.l., in compliance with European Community legislation, grants its products for 12 months. This warranty does not include electrical parts, labour and all replacements related to an improper use of the good. Any manipulation carried out automatically excludes the liability of the manufacturer. The products or parts to be replaced or repaired for unequivocal defects in workmanship and materials used must be in a "free port" at the offices of the producer, who after a careful inspection, will repair or replace them. The repairs are carried out exclusively at the headquarters of the manufacturer, and none cost incurred by the customer for repairs will be refunded by the manufacturer unless explicitly agreed.

## 4. Settings

This item is packed and shipped assembled. The manufacturer declines every responsibility for damages of someone or something caused by the failure to comply with the instructions of this manual.



Do not make any structural change to the trolley.

The elements composing the trolley (plastic, polyurethane foam, bubble wrap, Styrofoam, cardboard and so on) must be kept away from children as potential sources of danger and must be collected and disposed off separately in accordance with local regulations.

The manufacturer declines every responsibility of damage of someone or something caused by the failure to comply with the instructions of this manual.

After the unpacking of the item from its packing, proceed by removing the adhesive plastic tape before starting up the product. Any residual glue has to be removed carefully (do not use abrasive cleaners).

The device is designed to run on AC to the voltage specified on the technical data plate (located on the bottom of the tank).

The grounding line is marked by the colours yellow/green and must not be interrupted. The device is provided with a cable in accordance with the CE regulations and with a schuko plug (that can be replaced, when necessary, with a different plug, suitable for the specified wattage and in accordance to the current regulations and guidelines; when necessary, replace the provided cable with a new one with the same features).

### **Before switching the appliance**

- Check if the electrical system can withstand the appliance's load (WATT as indicated on the technical plate)
- Make sure that the electrical system is provided with ground connection according to the current norms and guidelines.
- Connect the appliance with the ground network through a cable connected to the specific screw placed on the external casing of the appliance (See Component n°15 page. 6).

### **4.1 Appliance Start Up**

Once ready to switch on the appliance, plug the device in the electrical system and turn the thermostat knob to the desired temperature. If the switch light is turned on, the device is working correctly and is reaching the selected temperature.

Once started up, the appliance reaches the selected temperature in about one hour (it depends much on the starting temperature, the room temperature and the exposure of the buffet trolley).the switch will turn off once the device has reached the selected temperature. The appliance will keep the temperature during the service time.

The infrared lamps have an independent system and are managed from the switch located beside the thermostat plastic knob.



**This buffet trolley has been designed and created to work exclusively through the “bain-marie” system, therefore It shall never be turned on when without water in the tank.**

### **4.2 Technical Features**

<b>EROS BM &amp; B/INFRA</b>	<b>3/1</b>	<b>4/1</b>	<b>5/1</b>	<b>6/1</b>
Power supply	230 V	230 V	230 V	230 V
Temperature Range	+30°/+90°C	+30°/+90°C	+30°/+90°C	+30°/+90°C
Range operating temperature	+30°/+90°C	+30°/+90°C	+30°/+90°C	+30°/+90°C
Infrared lamps	3x250W	4x250W	5X250W	6X250W
Tank capacity	3 x GN 1/1	4 x GN 1/1	5 x GN 1/1	6 x GN 1/1
Tank height (mm))	180	180	180	180
Weight (Kg)	120	170	200	220

### 4.3 Use Suggestions

Gastronorm tanks (with food) in all the possible splits combinations can be placed inside the general tank.

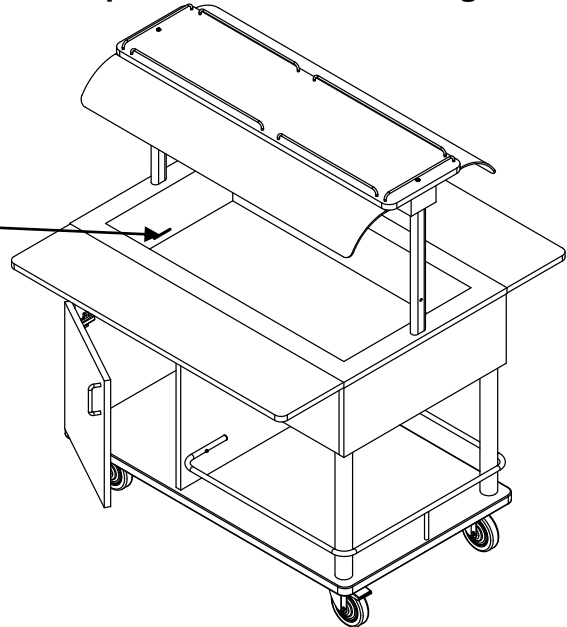
**If the trolley has a laminated wood structure, pay close attention to the contact between the water in large quantity and the wooden parts to avoid blisterings and scrapings of the same.**

The final customer must regularly check the food temperature and, if necessary, has to change the keeping temperature according to the requirements.

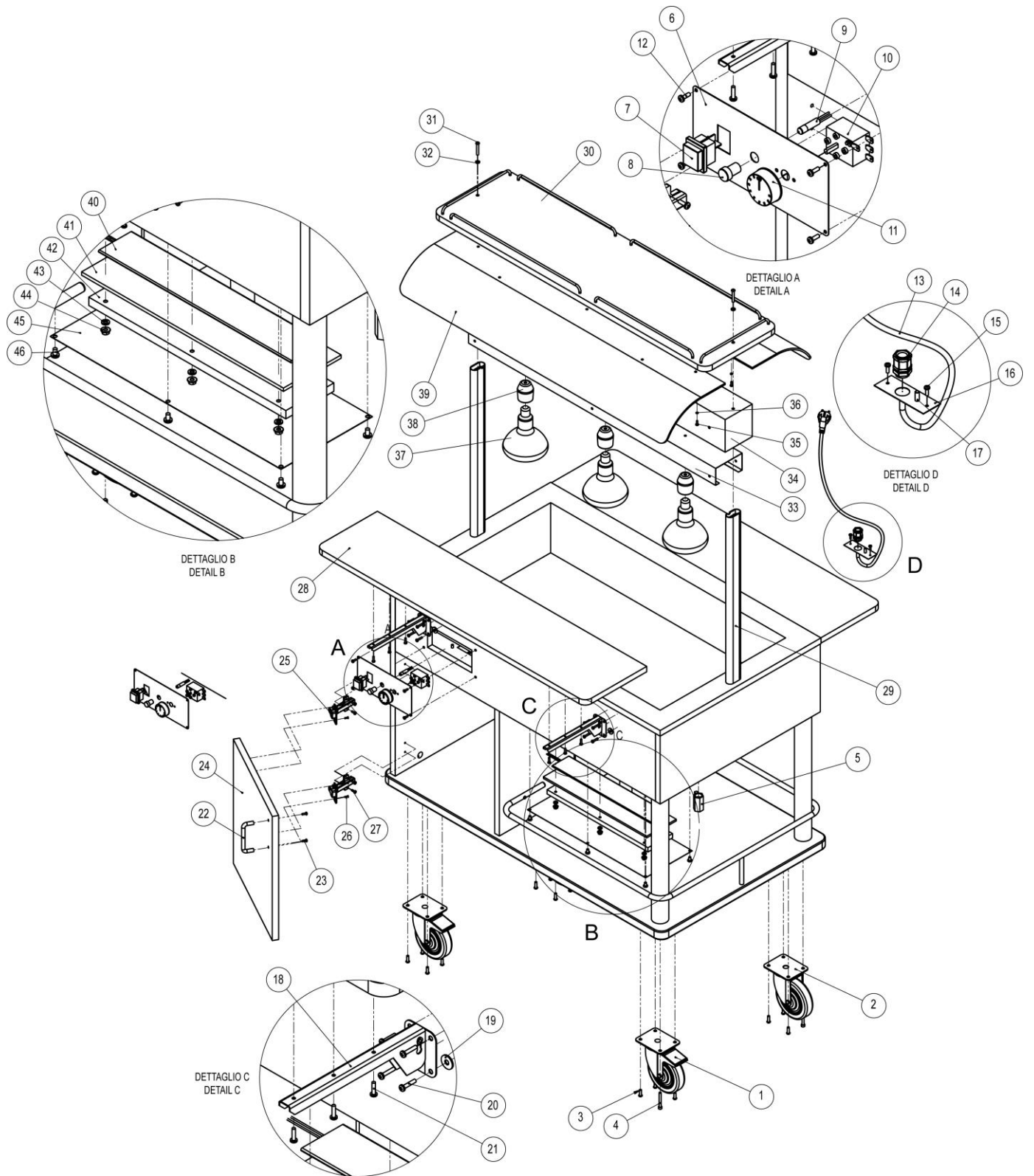
*"MAX" water level mark*



**Before switching on, fill the tank with a moderate amount of water and, in any case, do NEVER exceed with water in the tank (see max water level marked on the tank side).**

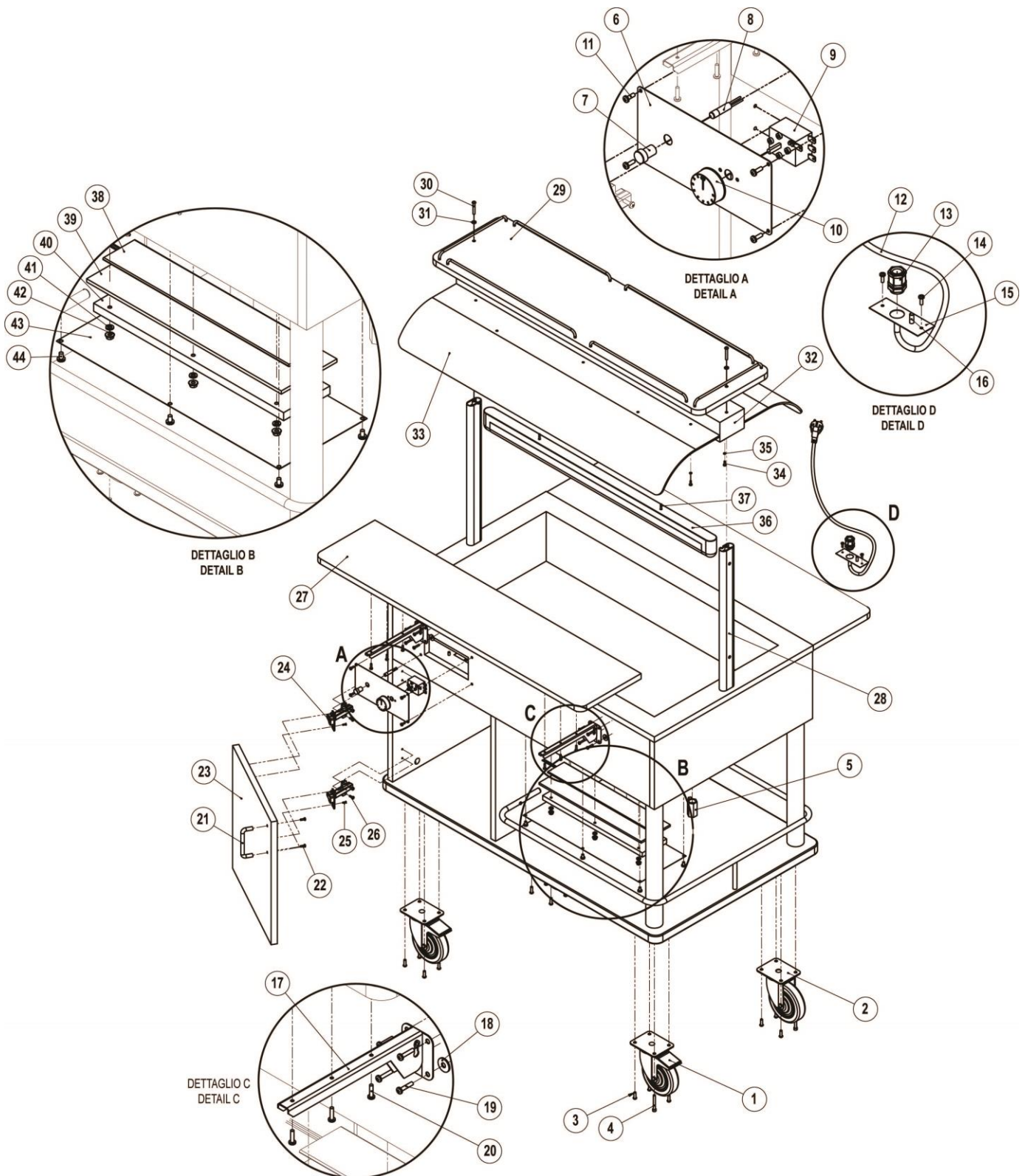


### 4.4 Spare parts B/INFRA



Ref	Code	Quantity				Description
		Eros 3 B/INFRA	Eros 4 B/INFRA	Eros 5 B/INFRA	Eros 6 B/INFRA	
1	RF	2	2	2	2	Castor Ø125 with brake
2	RS	3	3	3	3	Standard Castor Ø125
3		16	16	16	16	Screws 6x20 black burnished
4		4	4	4	4	Screws 6x50 black burnished
5		1	1	1	1	Drain Cock 1/2"
6		1	1	1	1	Control Panel
7		1	1	1	1	Lamps Switch
8		1	1	1	1	Control light lid
9		1	1	1	1	Control light
10		1	1	1	1	Thermostat 30°/90°C
11		1	1	1	1	Thermostat knob
12		4	4	4	4	Control panel screws
13		1	1	1	1	Schuko cable
14		1	1	1	1	Cablegland
15		2	2	2	2	Screws 3,5x12
16		1	1	1	1	Cablegland plate
17		1	1	1	1	Grounding coupler
18		4	6	6	6	Dish holder bracket
19		8	12	12	12	Washer M6
20		16	24	24	24	Screws 3,5x20
21		12	18	18	18	Screws 3,5x16
22		1	1	1	1	Door handle
23		2	2	2	2	Screws 3,5x12
24		1	1	1	1	Door
25		2	2	2	2	Door hinges
26		2	2	2	2	Screws
27		2	2	2	2	Screws 3,5x16
28		2*	2*	2*	2*	Long side dish holder
29		2	2	2	2	Chromed oval top support tube
30		1*	1*	1*	1*	Top Eros
31		2	2	2	2	Screws 6x40
32		2	2	2	2	Washer M6
33		1*	1*	1*	1*	St. steel lamp support
34		1*	1*	1*	1*	St. steel top
35		10	14	14	14	Nut M4
36		10	14	14	14	Washer indented M4
37		3	4	5	5	Infrared lamps
38		3	4	5	5	Ceramic lamps holders
39		2*	2*	2*	2*	Plexiglass dome
40		3	3	4	4	Heating element 700W
41		3	3	4	4	Ceramic fiber felt
42		3	3	4	4	Heating element cover
43		18	18	24	24	Washer M6
44		18	18	24	24	Nut M6
45		3	3	4	4	Galvanized bottom heating element lid
46		18	18	24	24	Screws 6x10

## 4.5 Spare parts BM



Ref	Code	Quantity				Description
		Eros BM 3/1	Eros BM 4/1	Eros BM 5/1	Eros BM 6/1	
1	RF	2	2	2	2	Castor Ø125 with brake
2	RS	2	3	3	3	Standard Castor Ø125
3		12	16	16	16	Screws 6x20 black burnished
4		4	4	4	4	Screws 6x50 black burnished
5		1	1	1	1	Drain Cock 1/2"
6		1	1	1	1	Control Panel
7		1	1	1	1	Switch Litght Lid
8		1	1	1	1	Switch light
9		1	1	1	1	Thermostat 30°/90°C
10		1	1	1	1	Thermostat knob
11		4	4	4	4	Control panel screws
12		1	1	1	1	Schuko cable
13		1	1	1	1	Cablegland
14		2	2	2	2	Screws 3,5x12
15		1	1	1	1	Cablegland plate
16		1	1	1	1	Grounding coupler
17		4	6	6	8	Dish holder bracket
18		8	12	12	16	Washer M6
19		16	24	24	32	Screws 3,5x20
20		12	18	18	24	Screws 3,5x16
21		1	1	1	1	Door handle
22		2	2	2	2	Screws 3,5x12
23		1	1	1	1	Door
24		2	2	2	2	Door hinges
25		2	2	2	2	Screws
26		2	2	2	2	Screws 3,5x16
27		2	2*	2*	2*	Long side dish holder
28		2	2	2	2	Chromed oval top support tube
29		1	1*	1*	1*	Top Eros 3/1
30		2	2	2	2	Screws 6x40
31		2	2	2	2	Washer M6
32		1	1*	1*	1*	Undermounted top in st.steel mod. Eros 3/1
33		2	2*	2*	2*	Dome Eros 3/1
34		10	14	14	18	Nut M4
35		10	14	14	18	Washer indented M4
36		1	1*	1*	1*	Neon lamp Eros 3/1
37		2	2	2	2	Neon screws
38		3	3	4	4	Heating element 700W
39		3	3	4	4	Ceramic fiber felt
40		3	3	4	4	Heating element cover
41		18	18	24	24	Washer M6
42		18	18	24	24	Nut M6
43		3	3	4	4	Galvanized bottom heating element lid
44		18	18	24	24	Screws 6x10



**ANY MANIPULATION AUTOMATICALLY EXCLUDES THE MANUFACTURER'S LIABILITY AND THE WARRANTY ON THIS PRODUCT**

## 5. Cleaning and Maintenance



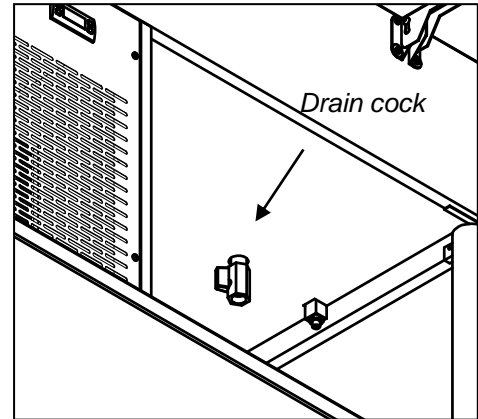
### WARNING:

**Before any cleaning operation unplug the device from the electrical system. Never wash the appliance with water jets in order to prevent water seepage in the electrical components.**

Clean the appliance at the end of the service. The tank has to be emptied from the water inside through the drain cock (see image on the right). Place a bucket under the drain cock and turn the lever, make sure it is closed once the tank will be emptied

It is recommended to dry it up with a cloth or a sponge.

The laminate parts can be cleaned with a damp cloth- In case of stubborn stains, use a damp cloth with some alcohol, do never use corrosive or abrasive detergents.



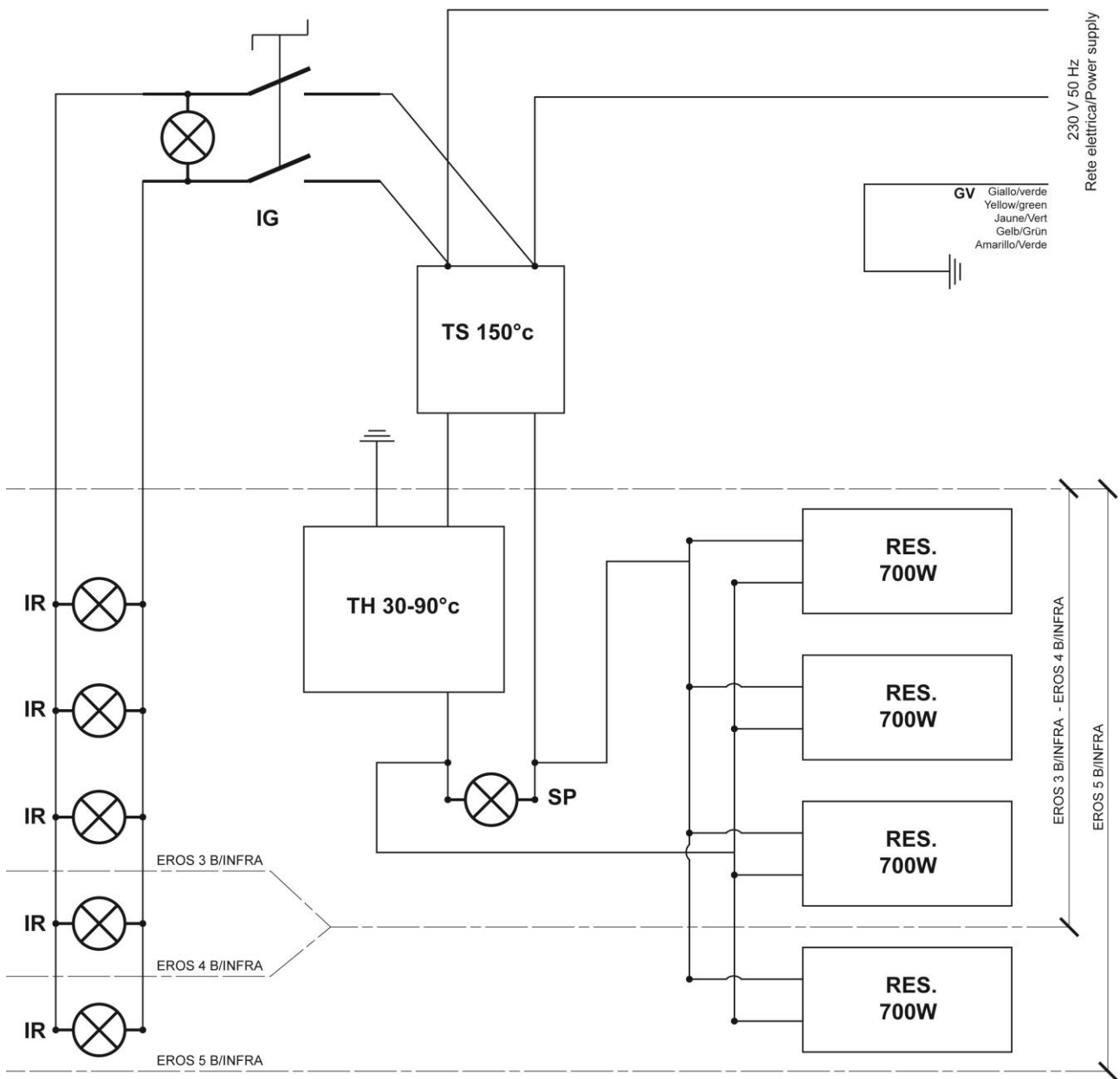
**The manufacturer is not responsible of any structural damage caused by the use of damaging substances.**

**The trolley must always stand horizontally and shall never be turned.**

### 5.1 Breakdowns

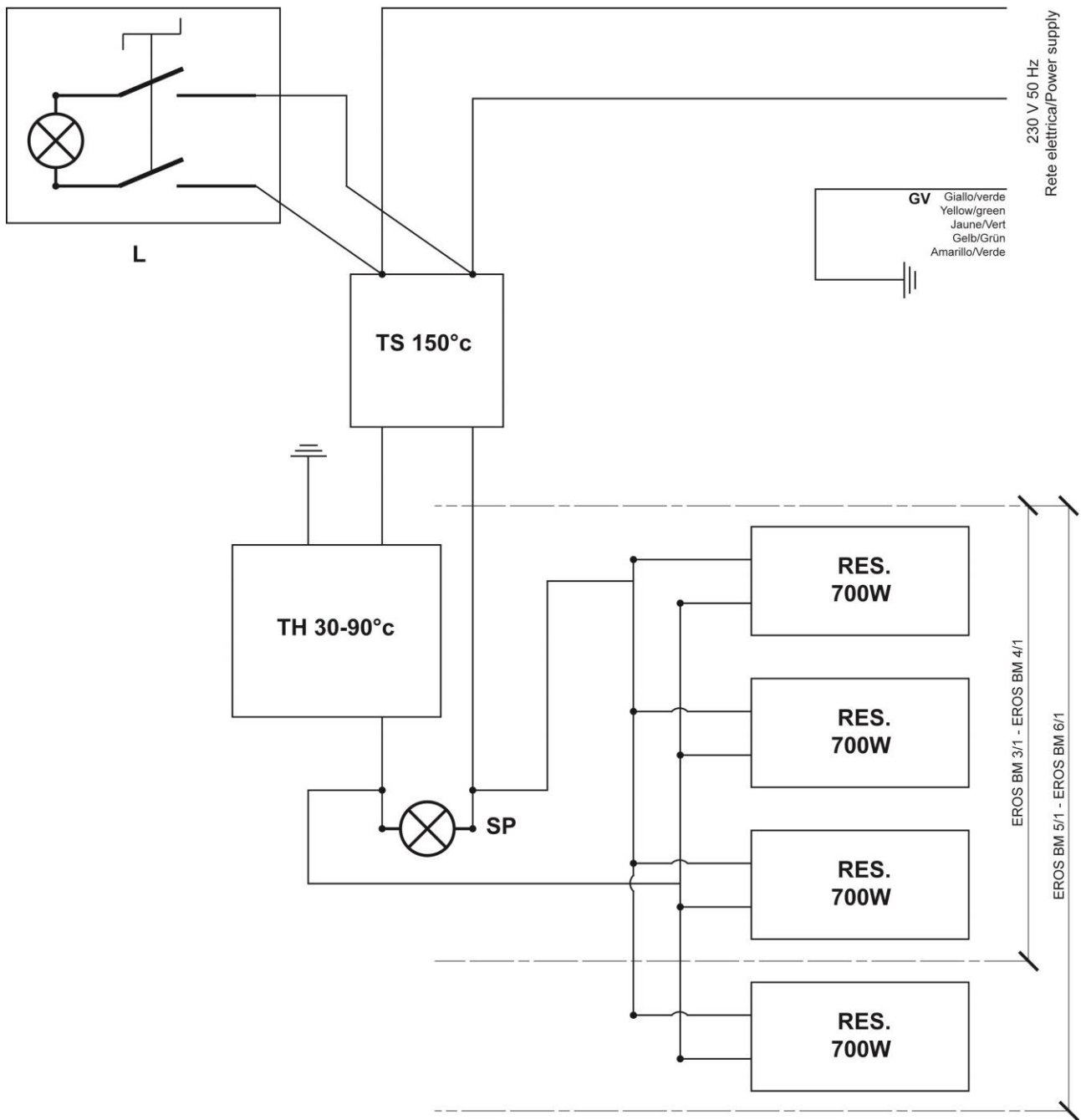
<b><i>Problem</i></b>	<b><i>Possible Reasons</i></b>	<b><i>Solutions</i></b>
The appliance doesn't warm up	Power failure	Check the power presence in the electrical system
	One or more heating elements are burned	Contact the retailer
	The power cable is worned out	Replace the cable with a suitable one
	The thermostat is broken	Contact the retailer
The lamps don't light up	The control switch doesn't work	Contact the retailer
	One or more lamps are burned	Replace the lamps with new 250W infrared lamps

## 5.2 Wiring Diagram B INFRA



<b>Code</b>	<b>Description</b>
TH 30°-90°	Termostato 30-90°C
TS 150°C	Security thermostat 150°C
SP	Control light
RES 700 W	Heating element 700 W
IG	Lamps switch
IR	Infrared lamps

### 5.3 Wiring Diagram BM



<b>Code</b>	<b>Description</b>
TH 30°-90°	Termostato 30-90°C
L	Neon lamp
SP	Switch Light
RES 700 W	Heating element 700 W

## 6. Disposal

The device must be disposed according to the local regulations and, where possible, it is necessary to un-mount it and differentiate the various components..

The packing elements (plastic, foam, bubble wrap, styro-foam, cardboard, etc..) must be kept away from children as potential danger and have to be collected and disposed separately according to the local regulations.



This marking shown on the product or its literature, indicates that it should not be disposed with other household wastes at the end of its working life.

To prevent possible harm to the environment or human health from uncontrolled waste disposal, please separate this from other types of wastes and recycle it responsibly to promote the sustainable reuse of material resources. Household users should contact either the retailer where they purchased this product, or their local government office, for details of where and how they can take this item for environmentally safe recycling. Business users should contact their supplier and check the terms and conditions of the purchase contract. This product should not be mixed with other commercial wastes for disposal.