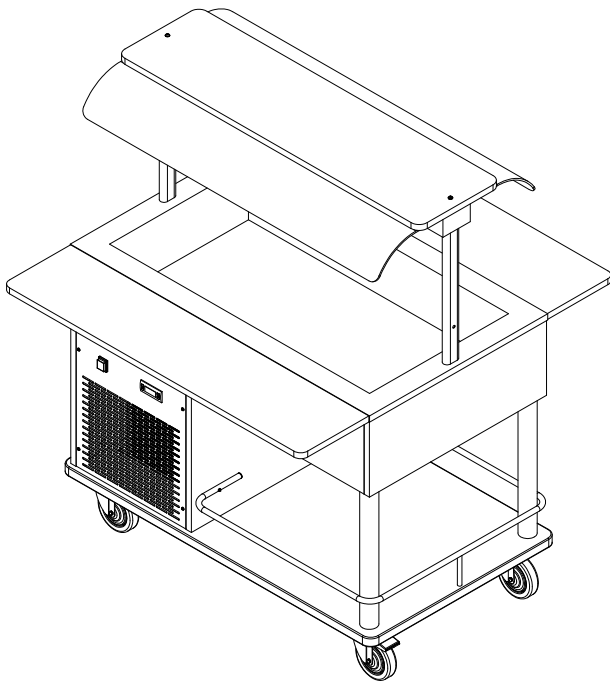




Rocam Losi srl
Via Industria 33/35
IT-20080 Albairate (Mi) - Italy
Tel: +39.02.9496.8356 - Fax: +39.02.9496.8341
www.rocam.it

Reg.Imprese 07013680967 Milano
C.F. e P.IVA/VAT number IT07013680967
R.E.A: MI-1929402 Cap.Soc. EUR10.000,00i.v.



Item:

HAPPY 3 R/F



Summary

1. Instruction Warnings	2
2. Safety and Right Use Warnings	2
3. Warranty	2
4. Settings	2
5. Cleaning and Maintenance	4
5.1 Breakdowns	4
6. Disposal	5

1. Instruction Warnings

User has to hold the whole instructions. User must store up this document in case of use. Producer do not assume any responsibility for damages incurred due to the failure of improper use of this manual. All measures in this manual are in mm.

2. Safety and Right Use Warnings



The Rocam Losi products meet the latest technological evolutions and current safety guidelines.

Trolley line **HAPPY**, object of this booklet, is projected to be in compliance with directives and field laws, in order to guarantee a safe and reliable product. Any other use will be considered inapposite to the original destination. Producer do not assume any responsibility for damages caused by an improper use. Responsibility lies only on user. A proper use also includes compliance with the instructions for use and installation and any additional documentation as well as the conditions of inspection and maintenance.

3. Warranty

We thank you for purchasing a Rocam Losi product, designed and produced for a professional environment. Due to commercial and construction requirements, the manufacturer reserves the right to make changes in order to enhance the quality and use of product. Rocam Losi s.r.l., in compliance with European Community legislation, grants its products for 12 months. This guarantee does not include electrical parts, labor and all replacements related to an improper use of the good. Any manipulation carried out automatically excludes the liability of the manufacturer. The products or parts to be replaced or repaired for unequivocal defects in workmanship and materials used must be in a "free port" at the offices of the producer, who after a careful inspection, will repair or replace them. The repairs are carried out exclusively at the headquarters of the manufacturer, and none cost incurred by the customer for repairs will be refunded by the manufacturer unless expressly agreed.

4. Settings

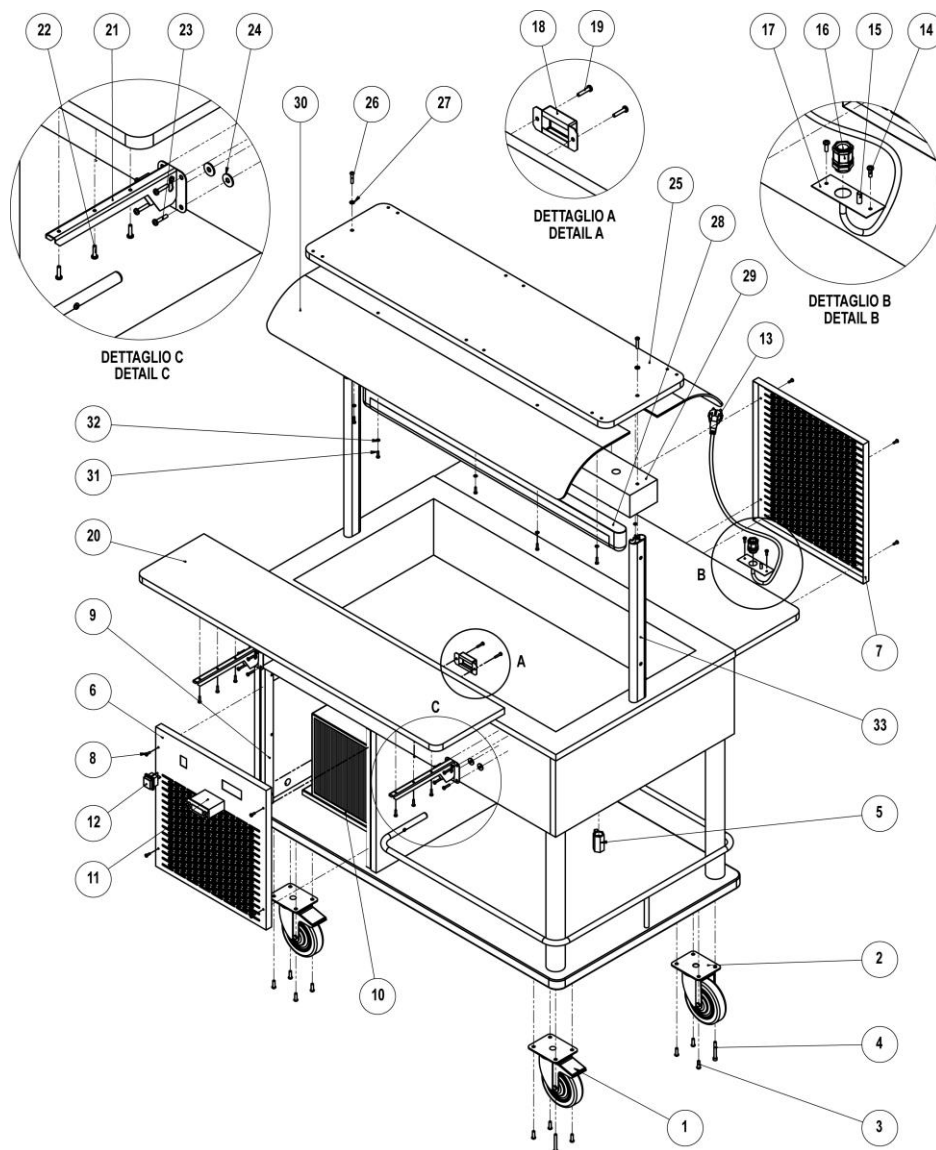


This item is packed and shipped assembled. The manufacturer declines every responsibility of damage of someone or something caused by the failure to comply with the instructions of this manual. Do not make any structural change to the trolley. The elements composing the trolley (plastic, polyurethane foam, bubble wrap, Styrofoam, cardboard and so on) must be kept away from children as potential sources of danger and must be collected and disposed off separately in accordance with local regulations. The manufacturer declines every responsibility of damage of someone or something caused by the failure to comply with the instructions of this manual. After the unpacking of the item from its packing, proceed by removing the adhesive plastic tape before starting up the product. Any residual

glue has to be removed carefully (do not use abrasive cleaners). The device is designed to run on AC to the voltage specified on the technical data plate (located on the bottom of the tank). The grounding line is marked by the colours yellow/green and must not be interrupted. The device is provided with a cable in accordance with the CE regulations and with a Schuko plug (that can be replaced, when necessary, with a different plug, suitable for the specified wattage and in accordance to the current regulations and guidelines; when necessary, replace the provided cable with a new one with the same features).

Please find attached assembly instructions and components list

ANY MANIPULATION AUTOMATICALLY EXCLUDES THE MANUFACTURER'S LIABILITY AND THE WARRANTY ON THIS PRODUCT.



5. Cleaning and Maintenance



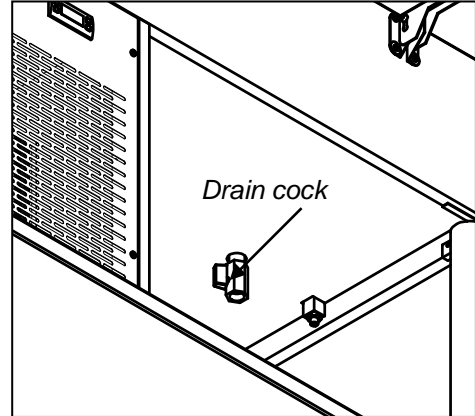
WARNING:

Before any cleaning operation unplug the device from the electrical system. Never wash the appliance with water jets in order to prevent water seepage inside the electrical components.

Clean the appliance at the end of the service. The tank has to be emptied from the condensation through the drain cock (see image on the right). Place a bucket under the drain cock and turn the lever, make sure it is closed once the tank will be empty.

Once the tank will be empty, it is recommended to dry it up with a cloth or a sponge.

The laminate parts can be cleaned with a damp cloth- In case of stubborn stains, use a damp cloth with some alcohol, do never use corrosive or abrasive detergents.



The manufacturer is not responsible of any structural damage caused by the use of damaging substances.

The trolley must always stand horizontally and shall never be turned to prevent damages on the compressor.

5.1 Breakdowns

Problem	Possible Reasons	Solutions
The trolley does not cool	Power failure	Check the power presence in the electric system
	Lack and/or loss of gas from the system	Contact the retailer
	The thermostat is broken	Contact the retailer
	The power cable is worned out	Replace the cable with a suitable one
The neon lamp does not light up	The lamp is burned	Replace the lamps with the suitable same ones
	The switch is turned on "off"	Pull down the dome and turn the neon power switch placed on the side.

6. Disposal

The device must be disposed according to the local regulations and, where possible, it is necessary to unmount it and differentiate the various components..

The packing elements (plastic, foam, bubble wrap, styrofoam, cardboard, etc..) must be kept away from children as potential danger and have to be collected and disposed separately according to the local regulations.



This marking shown on the product or its literature, indicates that it should not be disposed with other household wastes at the end of its working life.

To prevent possible harm to the environment or human health from uncontrolled waste disposal, please separate this from other types of wastes and recycle it responsibly to promote the sustainable reuse of material resources.

Household users should contact either the retailer where they purchased this product, or their local government office, for details of where and how they can take this item for environmentally safe recycling.

Business users should contact their supplier and check the terms and conditions of the purchase contract. This product should not be mixed with other commercial wastes for disposal.