


NEUTRAL BUILT-IN DISH EQUALIZER WITH TRANSPARENT LID

Product code: DROP-IN PLC N 18 / DROP-IN PLC N 28



Code	Column diameter (mm)	Height without lid (mm)	Height with lid (mm)	∅ Hole for installation (mm)	Column	Dish capacity
DROP-IN PLC N 18	395	780	870	370	Adjustable	50/60
DROP-IN PLC N 28	450	780	870	430	Adjustable	50/60

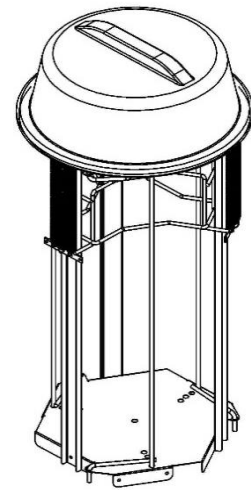
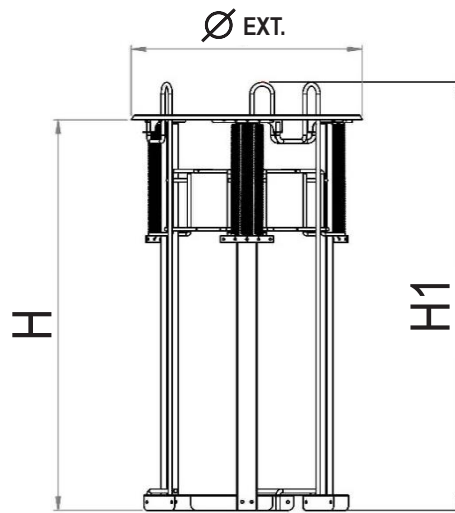
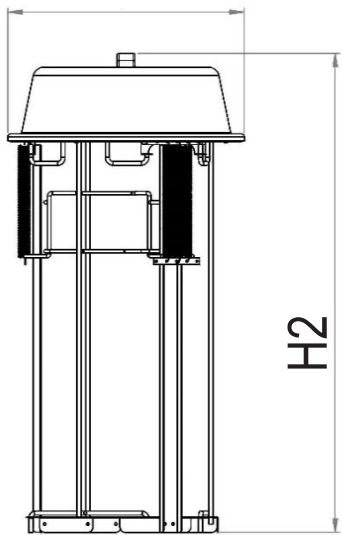
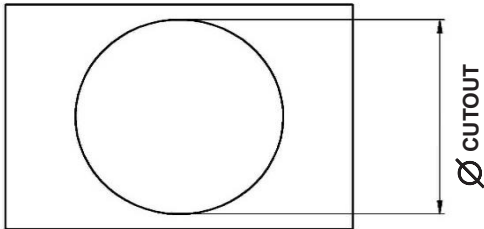
ID Code: DROP-IN PLC N 18 / DROP-IN PLC N 28
Description: NEUTRAL BUILT-IN DISH EQUALIZER WITH TRANSPARENT LID
Materials: Made entirely with AISI304 18/10 stainless steel, smooth finish, Scotch Brite finishing
HS Code: 9403.20.80
Mark: 

PRODUCT'S FEATURES:

- Made entirely with AISI304 18/10 stainless steel, smooth finish, Scotch Brite finishing
- Plastic coated adjustable shafts for various saucer's sizes, only for CL18/28 - CL28/32

NEUTRAL BUILT-IN DISH EQUALIZER WITH TRANSPARENT LID

Product code: DROP-IN PLC N 18 / DROP-IN PLC N 28



	Ø EXT.	Ø COVER	Ø CUTOUT	H	H1	H2
DROP-IN PLC N 18	395	403	370	710	780	870
DROP-IN PLC N 28	450	458	430	710	780	870